

Models:

TS345

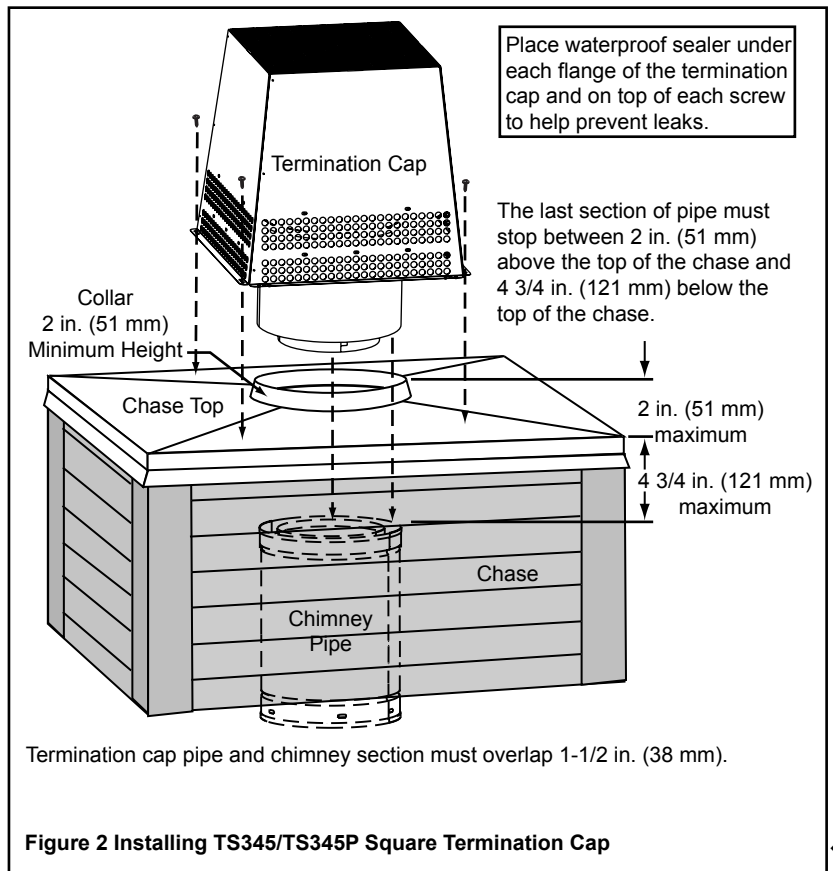
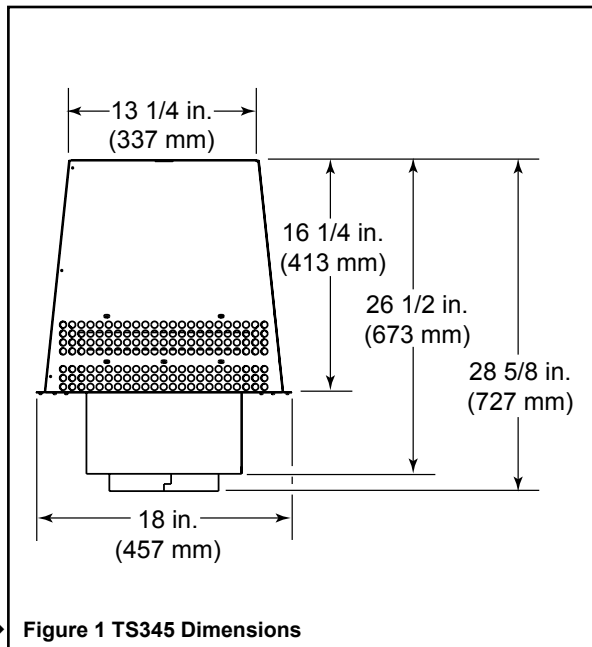
Square Termination Cap



This chimney termination cap has been tested for use with specific Hearth & Home Technologies Inc. fireplaces. Check with your local building code agency before you begin installation to ensure compliance with local codes, including the need for permits and follow-up inspections. If you encounter any problems regarding code approvals, or if you need clarification of any of the instructions contained here, contact your Hearth & Home Technologies Inc. dealer. For the dealer nearest you, please visit www.hearthnhome.com

Note: An arrow (➔) found in the text signifies change in content.

Note: To protect the cap against the effects of corrosion, we recommend that the termination caps be painted with rust resistant paint.



➔ **CAUTION! Risk of Cuts/Abrasions.** Wear protective gloves and safety glasses during installation. Sheet metal edges are sharp.

➔ **WARNING! Risk of Fire.** Intended for use with a metal chase top only.

Installation

- Install the chase top.
- Place the inner slip section into the inner section of the uppermost chimney section. Slip the outer slip section over the outer section of the uppermost chimney section. Press the termination assembly down until the flanges contact the chase top.
- Using the holes in the flanges as guides, drill 1/8" diameter holes in the chase top. Lift the

- cap, place waterproof sealant on the bottom of the flanges, push the flange onto the chase top and secure with the four screws provided in the fastener package. Place a small dab of waterproof sealant over each screw head to ensure a leak tight top.
- For chimney cleaning, remove the four screws and the screen from the top of the cap. Lift out the baffle system. Clean baffle, screen and chimney, and reinstall everything. See Figure 3.